

ExTVA-600-U0

Active barrier, 1-channel for 4 to 20 mA,
HART® transparent with 24 to 230 V AC/DC and
active/passive input and output, with Ex



Technical Information TI08.25

MAIN FEATURES

- Auxiliary power, wide-range power supply, flexible voltage supply
- Bidirectional HART® transmission
- HART® communication sockets for sensor parameterisation
- Compact side-by-side housing
- Sensor power supply for 4...20mA devices
- Compact DIN rail housing 22.5mm
- 20...253 V AC/DC wide-range power supply
- Suitable for connection of intrinsically safe devices Ex Zone 2 [ec]

APPLICATION

- Galvanic isolation of 4...20 mA circuits
- Elimination of ground loops
- Power supply for 2-wire transducers

DESCRIPTION

The active barrier is used for the transmission and galvanic isolation of 0/4 to 20 mA/ HART signals. The device has an active/passive current input to which a 2- or 4-wire transmitter can be directly connected. The output of the device can be operated actively or passively. The current signal is then available to the PLC / controller or to other instrumentation at plug-in screw terminals or optional push-in terminals.

HART communication signals are transmitted bidirectionally by the device. Connection sockets for connecting HART communicators are integrated into the front of the device.

The device is optionally available as an „associated apparatus“, which allows devices to be connected in Ex Zone 0/20 [ia] and operated in Ex Zone 2 [ec]. 2-wire transmitters are supplied with power, and transmit analog 0/4 to 20 mA/HART measured values from the hazardous area to the non-hazardous area.

TECHNISCHE DATEN

Design: Width x length x height (with terminals): 17,5 x 116 x 107,5 mm

Input: 4...20 mA intrinsically safe

Operating voltage: 24...230 V AC/DC; Hart-compatible

Output: 4...20 mA, active

Certification: ATEX II (1) G [Ex ia Ga] IIC / II (1) D [Ex ia Ga] IIC

Intrinsically safe transmitter power supply

Certificates: ATEX, IECEx: II(1)G [Ex ia Ga] IIC / ATEX, IECEx: II(1)D [Ex ia Da] IIC / ATEX: II(3)G [Ex ec Gc] IIC



FEEL FREE TO
CONTACT US

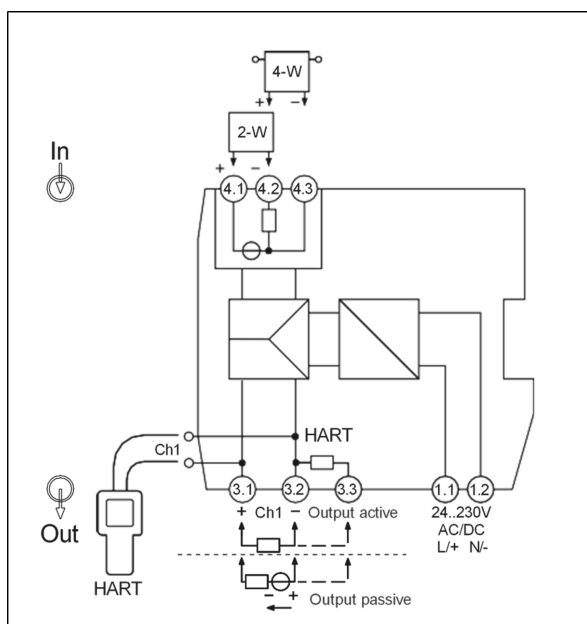
Lauterbachstr. 57, D - 84307 Eggenfelden

info@acs-controlsystem.com

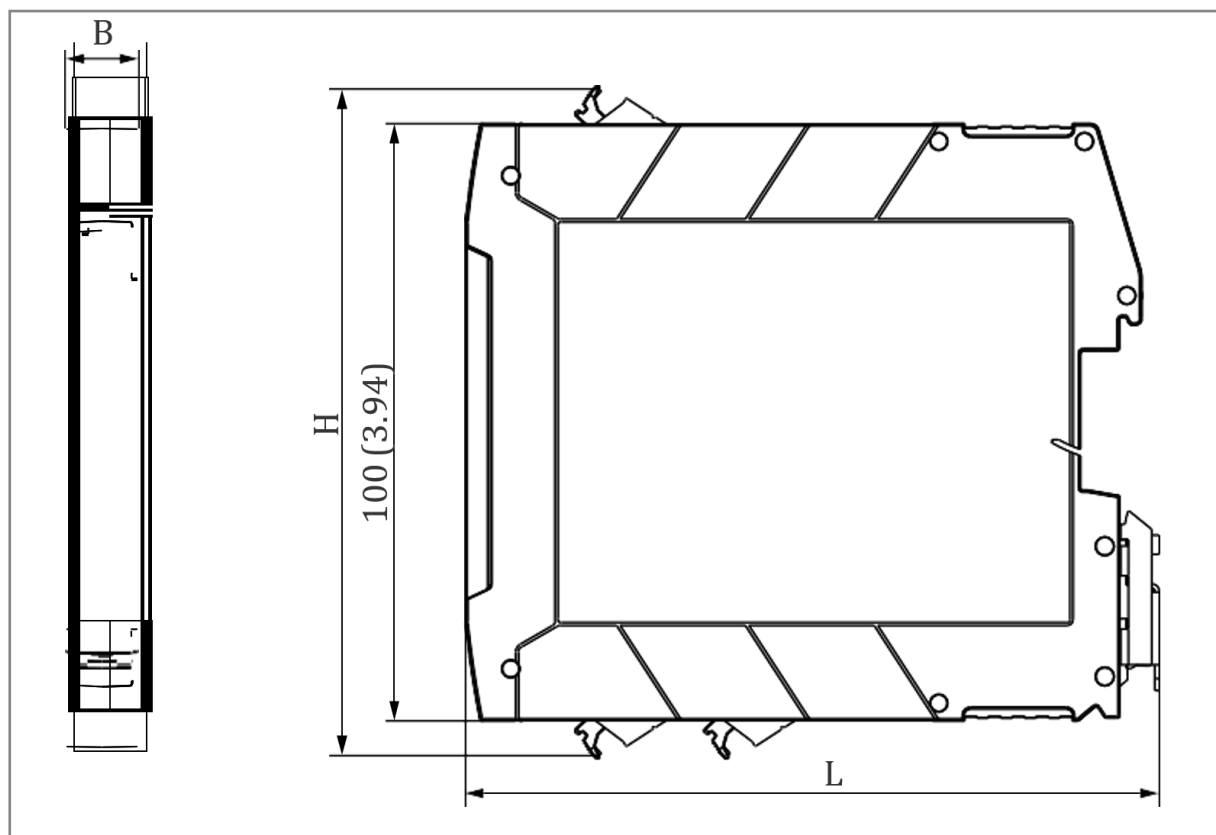
www.acs-controlsystem.com

+49 8721-96680

ELECTRICAL CONNECTION



DIMENSIONS (MM)



Width (B) x length (L) x height (H) (with terminals): 17.5 mm (0.69 in) x 116 mm (4.57 in) x 107.5 mm (4.23 in)